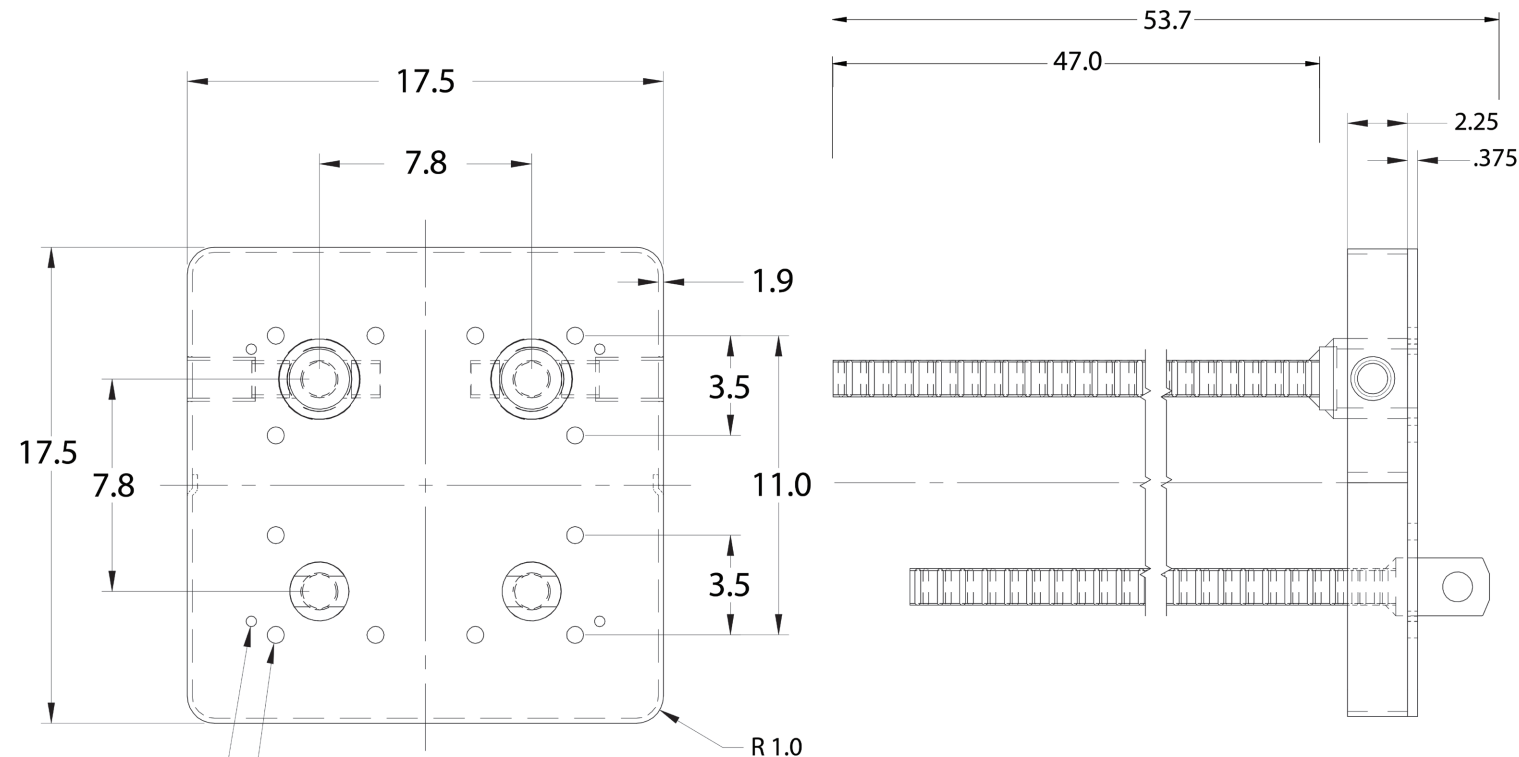
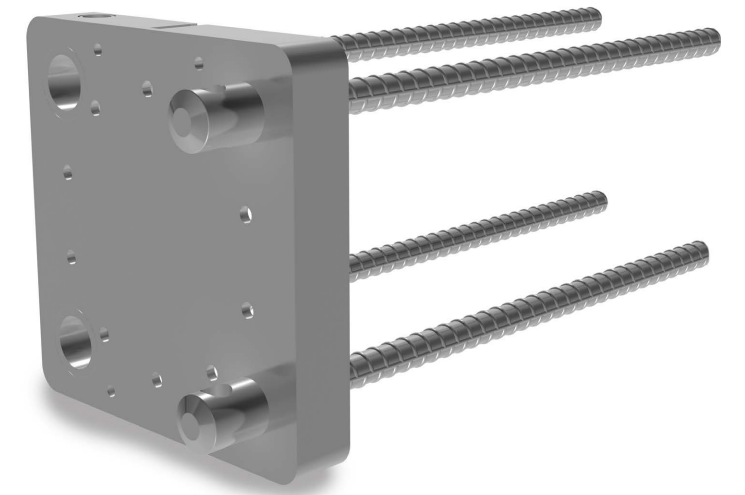
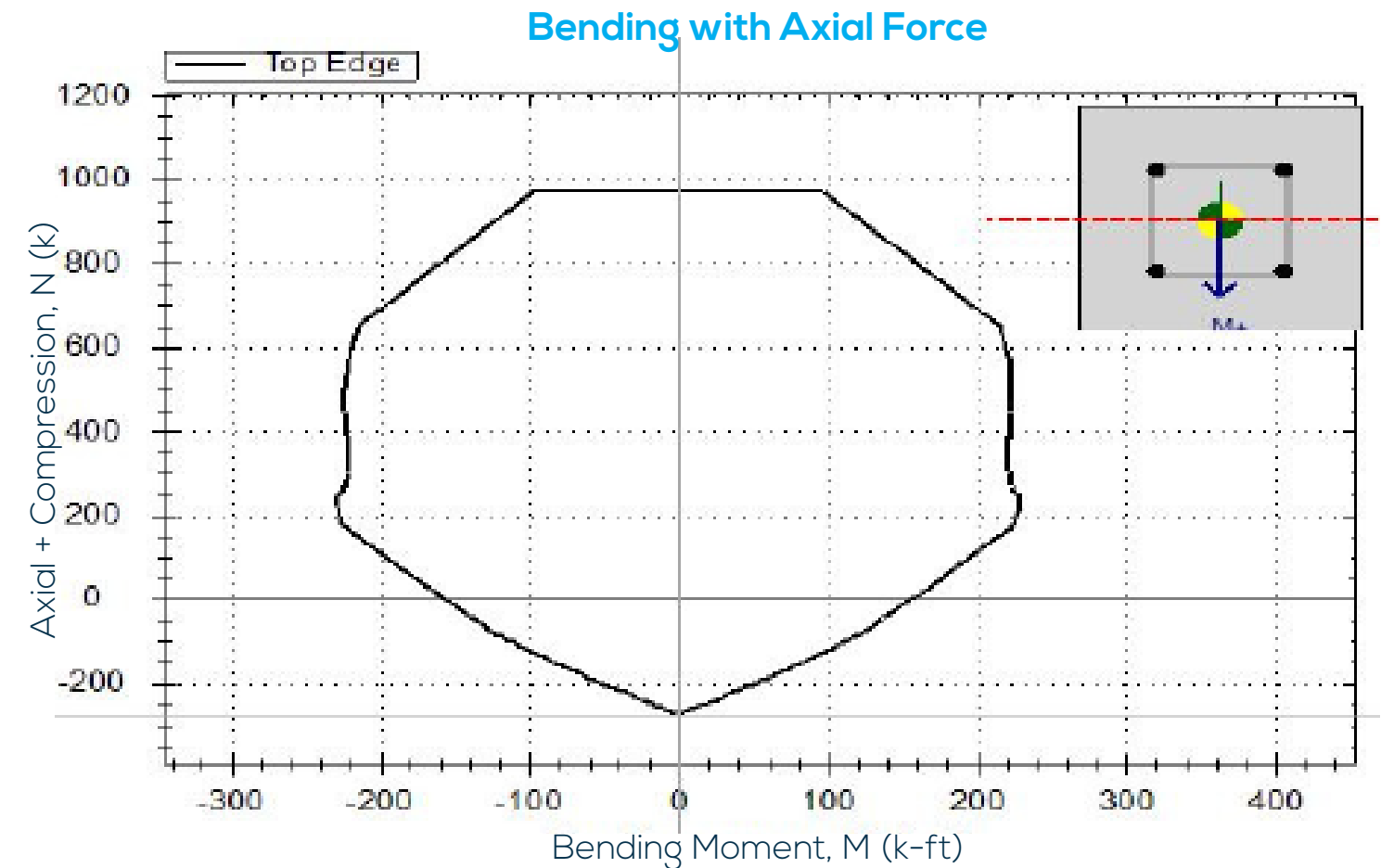


# 18" EMECA Pile Joint Technical Information



4 PCS Ø .390  
CASTING GUIDE  
CONNECTION HOLES

12 PCS Ø .625  
HOLES FOR STRANDS  
(CAN BE CUSTOMIZED)



Parameter	Allowable Limit
Rated Tensile Capacity for Full Splice (4 bars)	329 kips or 82.25 kips/bar
Shear Capacity of the Splice Joint	409 kips
Bending Moment Capacity of the Splice Joint	156 k-ft. (at 0 Axial load)
Allowable Driving tensile stress limit	1248 psi
Recommended Driving Tensile Stress Limit	<1200 psi
Max. Compression While Driving	1560 kips

\* Calculations based on 6000 psi concrete

	18 inch Concrete Allowable Driving Stress Limits (psi)								
Concrete Strength	4000	4500	5000	5500	6000	6500	7000	7500	8000
Tensile Stresses	1206	1217	1228	1238	1248	1258	1267	1276	1284
Comp. Stresses	3400	3825	4250	4675	5100	5525	5950	6375	6800